



ZIPSTOP PIVOT MOUNT

Operator Manual

Model: PMV-01



NOTE TO INSTALLERS

Always Read Instructions Before Use

The Operator Manual contains information relating to the proper use of the zipSTOP Pivot Mount and includes all product and warranty information. This document may only be removed by the end user. Ensure that this Operator Manual is readily available to operators at all times.

Always use the manual supplied with zipSTOP Brake Assembly when installing, operating, or maintaining zipSTOP components.

Head Rush Technologies zipSTOP Pivot Mount Operator Manual
P/N 05070043802

Head Rush Technologies products are covered by a number of patents, including U.S. Patents 8,490,751; 8,851,235; 9,016,435; 8,851,235 and D654,412 & corresponding patents/applications in the USA and in other countries worldwide.

ACCESSORY OF THE



TABLE OF CONTENTS

SAFETY INFORMATION	5
Symbols Used in this Manual	5
WARRANTY CONDITIONS	6
Customer Responsibility	6
DESCRIPTION	7
COMPOSITION	8
MOUNTING	9
INSTALLATION	10
PERFORMANCE	12
INSPECTION	13
Safety Precautions	13
Weekly Inspection	13
<i>Inspection Procedures</i>	13
Service Life	13
MANUFACTURER'S DETAILS	14



IMPORTANT SAFETY NOTICE

Zip Lining is a Dangerous Activity

Read Before Installation & Operation

Failure by the installer or operator to heed any and all instructions, warnings, and cautions for the correct installation, operation, care, and maintenance of the zipSTOP Zip Line Brake and associated equipment may result in serious injury or death.

The zipSTOP Brake Assembly, including zipSTOP Brake Unit Model ZB125-08B and ZSIR150-20A, zipSTOP Brake Trolley Model ZT125-17, zipSTOP Pivot Mount, and all associated equipment are designed and specified for use in the recreational zip line industry as the primary brake or as an Emergency Arrest Device (EAD) in a complete zip line braking system. Use of the zipSTOP components for any purposes other than that intended by the manufacturer is not permitted.

The zipSTOP is designed to be utilized as a primary brake or Emergency Arrest Device (EAD). When using the zipSTOP as a primary brake, the installer must utilize an independent Emergency Arrest Device to protect against operator error and third party equipment failure. Design and installation of the zip line, including the complete braking system, is the responsibility of the installer or operator.

Owners and operators of zipSTOP devices are responsible for the safety and supervision of any person using the zipSTOP and are required to assure that proper installation and operation procedures are followed at all times. Proper installation requires careful design and planning using zipSTOP and non- zipSTOP components. Owners and operators are encouraged to seek the advice of their zip line installer or a qualified engineering professional regarding the instructions in this manual.

These instructions must be made readily available to the operator at all times. Prior to installation and use, all owners, installers, and operators must have read and shown to have understood all instructions, labels, markings, and safety information pertaining to the installation, operation, care, and maintenance of the zipSTOP system, its component parts, and all associated hardware. Failure to do so may result in equipment damage, serious injury, and death.



WARNING

Failure by the operator to heed all instructions, warnings and cautions for installation and use of the Brake Trolley Catch Accessory and all associated equipment can result in serious injury and/or death.

SAFETY INFORMATION

Symbols Used in this Manual

The following safety symbols are used throughout this manual to highlight potential dangers to operators and equipment. One or more precautions may be associated with practices and procedures described within this manual. Failure to adhere to any precautions highlighted can result in equipment damage, serious injury, and/or death.

Ensure that the owner/operator reads and understands all safety procedures related to the working environment and the task they are undertaking.



DANGER

Indicates a hazardous situation exists that, if not avoided, will result in serious injury or death.



WARNING

Indicates a potentially hazardous situation that, if not avoided, could result in serious injury or death.



CAUTION

Indicates a potentially hazardous situation that, if not avoided, may result in injury or equipment damage.



NOTE

Indicates an action that must be taken to ensure personal safety and prevent damage to property or equipment.



CARE FOR THE ENVIRONMENT

Take care to minimize impact on the environment when carrying out this procedure.

WARRANTY CONDITIONS

MANUFACTURER'S SOLE WARRANTY:

The zipSTOP Pivot Mount will be sold free from defects in materials and workmanship, excluding field replaceable wear parts, for a period of two (2) years from date of purchase. This warranty only applies to the original purchaser, and is contingent upon the owner/operator using and maintaining the device in accordance with the instructions, including the requirement to maintain regular inspection as described in all applicable manuals.

THIS WARRANTY IS EXPRESSLY IN LIEU OF OTHER WARRANTIES, EXPRESS OR IMPLIED, AND ANY IMPLIED WARRANTY OF MERCHANTABILITY OR FITNESS FOR A PARTICULAR PURPOSE IS HEREBY EXPRESSLY EXCLUDED.

The sole remedy for breach of this warranty, or for any claim in negligence or strict liability in tort, is the repair or replacement of any defective parts at the discretion of the manufacturer. Such parts claimed to be defective shall be returned to the zipSTOP Pivot Mount factory, transportation prepaid, for inspection to determine to its satisfaction that said part/s are defective.

This warranty is null and void if other than genuine parts are used, or if any modifications are carried out to the zipSTOP Pivot Mount or zipSTOP Brake Assembly without the expressed written permission of the manufacturer. No person, distributor, or other entity is authorized to give any warranty, other than the one herein expressed, on behalf of the company or to assume for it any liability pertaining to such products. The company makes no warranties in respect to trade accessories or component parts which are not manufactured by the company, same being subject only to such warranties, if any, as may be made by their respective manufacturers.

IN NO EVENT SHALL THE COMPANY BE LIABLE FOR ANY INCIDENTAL OR CONSEQUENTIAL LOSSES AND/OR DAMAGES WHATSOEVER FOR ANY REASON.

Customer Responsibility

The following items are considered to be the responsibility of the Customer and, therefore, are non-reimbursable under the terms of the warranty.

- Normal maintenance or routine services.
- Normal replacement of service and wear items.
- Replacements required because of abuse, misuse, or incorrect operation of equipment by the installer or operator.
- Field replaceable wear parts such as the quick links, O-Rings, Upper Spacer, Bolt and Washers, etc. supplied as zipSTOP branded parts.
- Normal deterioration due to use and exposure.

This warranty is subject to following all applicable manuals, manufacturer's instructions, and advice given by zipSTOP service technicians.

DESCRIPTION

The zipSTOP Pivot Mount is an accessory used to expand the mounting possibilities of the zipSTOP and zipSTOP IR Zip Line Braking Devices. Proper use of the zipSTOP Pivot Mount will allow for smooth braking, reduced wear on the webbing, improved retraction, and simplified installation. The zipSTOP Pivot Mount is designed to be used directly overhead and in line with the zip line. The installation point should be directly above the point where braking is to begin. Please reference the zipSTOP/zipSTOP IR Operator Manual for full specifications, including braking distances and appropriate mounting height.



The zipSTOP Pivot Mount is NOT designed or intended for use with any other device. The zipSTOP Pivot Mount has been specifically engineered for safe use with only the zipSTOP line of devices. Both zipSTOP and zipSTOP IR Zip Line Braking devices can utilize the Pivot Mount, but the Pivot Mount must be used without any external reduction (i.e. in a 1:1 reduction line configuration only). Please reference the zipSTOP Operator Manual for arrival speeds, rider weight, and full specifications when determining mounting location. Installation of the zipSTOP Pivot Mount with the wrong device may result in improper operation and potentially hazardous or dangerous braking conditions. Operation MUST meet the operational and safety guidelines set forth in the Operator's Manual. Operators should double check and verify the safety limits set forth in the Operator Manual and conduct weight testing before live operation.

COMPOSITION

The zipSTOP Pivot Mount is a mounting accessory for the zipSTOP and zipSTOP IR devices only. The zipSTOP Pivot Mount is **NOT COMPATIBLE** with the QUICK-jump Free Fall device, TRUBLUE Auto Belay, or any device other than the zipSTOP Zip Line Brake Devices. The zipSTOP Pivot Mount consists of two aluminum plates – one on either side of the zipSTOP central plate. The aluminum plates are secured by two through bolts as shown in the figure below. The third bolt serves as the pivot point and connection location for the quick link which is mounted at the top and between the aluminum plates.



MOUNTING

The zipSTOP Pivot Mount is designed to be attached via the designated mounting point and quick link only. A secondary, longer, non-loaded tether should be connected to the exposed handle as a backup connection. Ensure the mounting hardware is secure and the unit is free to pivot, unrestricted, in the appropriate direction.



USE ONLY THE DESIGNATED MOUNTING POINT

Use only the correct, designated mounting point. Use of incorrect points can result in equipment damage. Ensure all mounting hardware is secure but free to pivot in the mounting point.

All anchor points and connectors used must conform to any applicable federal, state, or local requirements for such devices.

The primary anchor point strength, connectors, redirection line, and other hardware and accessories must conform to all requirements set forth in the zipSTOP/zipSTOP IR Operator Manual.

INSTALLATION

The following parts are included in the zipSTOP Pivot Mount kit:



1. 1 x Left Pivot Mount Plate



2. 1 x Right Pivot Mount Plate



3. 2 x Center Plate Spacer



4. 4 x 3/16" O-Ring



5. 1 x Upper Spacer



6. 8 x 5/8"-11 Stainless Steel Washers



7. 3 x 5/8"-11 Grade 8 Hex Head Bolts with Cotter Pin Holes



8. 3 x 5/8"-11 Castle Nuts

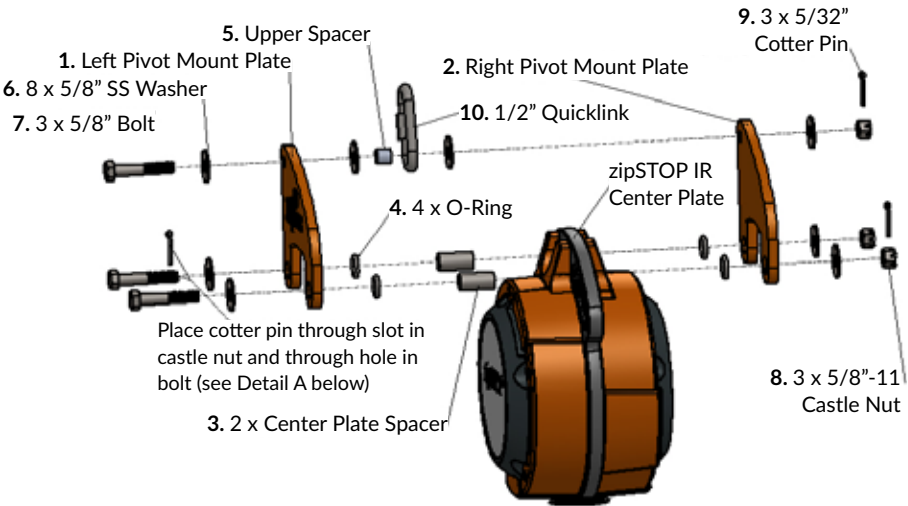


9. 3 x 5/32" Cotter Pins

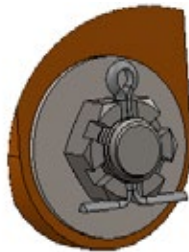


10. 1 x 1/2" Quick Link

Inspect all components for damage, cracks, or corrosion prior to installation. Assemble according to the following diagram:



Ensure that the cotter pin is firmly seated through a slot in the castle nut AND through the hole in the 5/8" bolt. Each leg of the cotter pin should be bent outwards away from its original position at a minimum of a 90 degree angle as shown in the diagram below.



Detail A Scale 5:1



WARNING

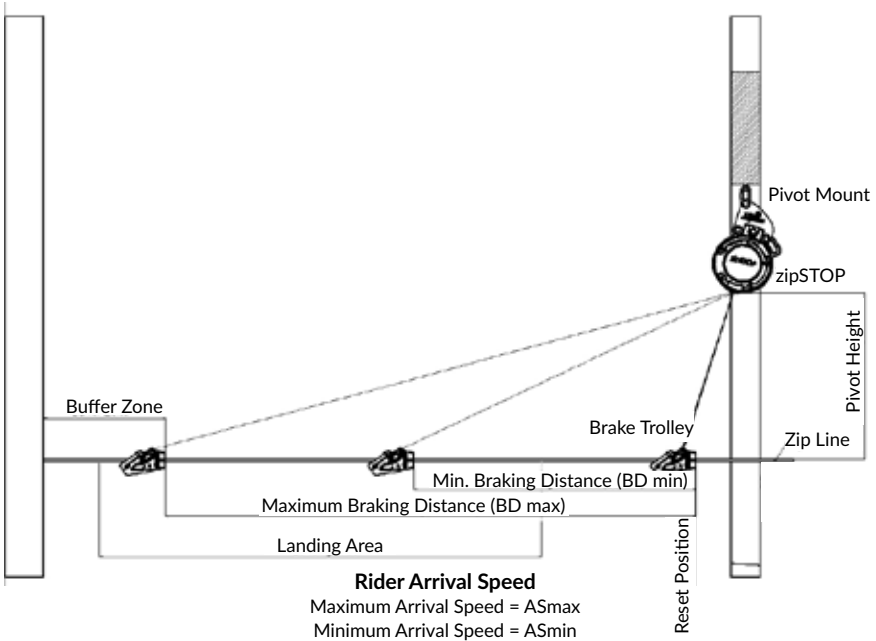
FAILURE TO INSTALL THE ZIPSTOP PIVOT MOUNT ACCORDING TO THE PROVIDED DIAGRAMS AND SPECIFICATIONS MAY RESULT IN SERIOUS INJURY OR DEATH OF A PARTICIPANT. Any indication of the zipSTOP Pivot Mount or zipSTOP Zip Line Brake being out of specification mandates the immediate removal of the mount or device from service.

PERFORMANCE

Use zipSTOP Braking Distance charts in the zipSTOP Operator's Manual and the diagram below to determine braking distances and performance. Due to the direct connection between the unit and the brake trolley in the zipSTOP Pivot Mount setup, the braking distances may be shorter than in the zipSTOP Braking Distance charts. Use the zipSTOP Braking Distance charts only as a starting point for tuning performance and braking distance as external and installation factors can change performance.



Pictures in this manual are for reference purposes in terms of geometry and proposed redirection system configuration only. Mandated EAD may or may not be shown.



ALWAYS CARRY OUT UNMANNED TESTING TO DETERMINE ACTUAL BRAKING DISTANCE

The information contained in this manual is intended for guidance only. Calculated braking distances for the zipSTOP Brake Assembly are estimates only and may differ from actual braking distances achieved on individual zip lines.

INSPECTION

Safety Precautions

Prior to installation and operation of the zipSTOP Pivot Mount, it should be fully inspected.

Weekly Inspection

The following inspection should be performed weekly with regular zipSTOP Zip Line Brake Unit Case inspection. Both inspections may take place simultaneously but there are independent inspection elements for both products mandating both procedures be followed.

INSPECTION PROCEDURES:

1. Inspect each side plate extensively for damage, cracks, corrosion, or signs of fatigue.
2. Inspect the quick link, upper spacer, and upper bolt for signs of wear and corrosion. Ensure the quick link gate is tightly closed.
3. Inspect each o-ring for signs of cracking, wear, and degradation.
4. Check the center plate spacers and corresponding bolts for signs of corrosion or degradation.
5. Ensure the cotter pins are seated firmly, the protruding end is split, and each tail bent outward to at least 90 degrees.

The zipSTOP Pivot Mount should be removed from service and the component or entire assembly replaced if any component demonstrates signs of damage, cracking, yielding, corrosion, or significant wear or abrasion.



WARNING

FAILURE TO CONDUCT WEEKLY INSPECTIONS AND/OR REPLACE COMPONENTS OF THE PIVOT MOUNT WHEN SIGNS OF WEAR ARE PRESENT MAY RESULT IN SERIOUS INJURY OR DEATH OF A PARTICIPANT. Any indication of the zipSTOP Pivot Mount or unit being out of specification mandates the immediate removal of the mount or device from service.

*** Varying weather, use, humidity, and UV conditions can affect the expected service life of the zipSTOP Pivot Mount, zipSTOP Zip Line Brake, and associated equipment significantly.*

Service Life

The expected service life of the zipSTOP Pivot Mount is equal to that of the unit in which it mounts to. The zipSTOP Pivot Mount has been designed for use outside and in harsh environments with a wide range of temperature and weather conditions. If a component is found to be damaged or worn during inspection, replacement parts are available from Head Rush Technologies and Authorized Service Centers.

MANUFACTURER'S DETAILS

Replacement parts for the Brake Trolley Catch Accessory and other related products can be purchased at store.headrushtech.com or from an Authorized Head Rush Technologies Distributor.

Return the Brake Trolley Catch Accessory to the Manufacturer at the address shown below for any unscheduled service or repairs.

ADDRESS

Head Rush Technologies
1835 38th Street, Suite C
Boulder, CO 80301
USA

CONTACT DETAILS

+1-720-565-6885
www.headrushtech.com
info@headrushtech.com



www.headrushtech.com

info@headrushtech.com

+1-720-565-6885

Jul 2016